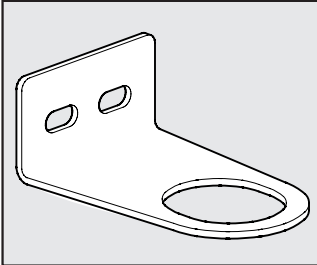


MOUNTING BRACKET FOR REG.

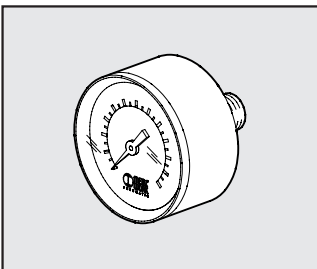
Code Description



9200701 SF100- BIT-ND1/4
 9400701 SF200-ND-3/8 1/2
 9400702 SF300

PRESSURE GAUGES

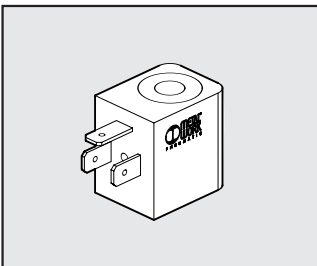
Code Description



9700101 ACC. M 40 1/8 12
 9700102 ACC. M 40 1/8 04
 9800101 ACC. M 50 1/8 12
 9800102 ACC. M 50 1/8 04
 9900101 ACC. M 63 1/4 12

COIL FOR APR and V3V SOLENOID

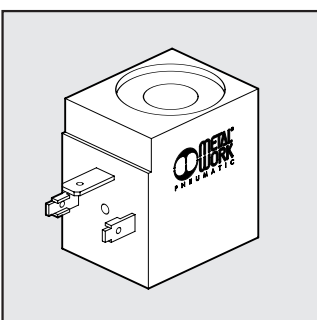
Code Description



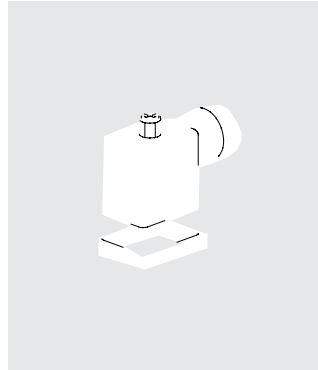
W0215000101 Coil 22 8
 BA 2W-24VDC
 W0215000111 Coil 22 8
 BA 3.5VA-24VAC
 W0215000121 Coil 22 8
 BA 3.5VA-110VAC
 W0215000131 Coil 22 8
 BA 3.5VA-220VAC

COIL FOR CDV CDML LUBRICATOR

Code Description

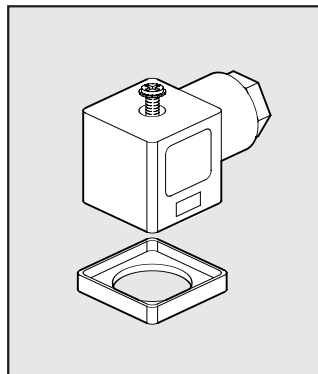


W0216001001 COIL 24 V CC
 W0216001011 COIL 24V 50/60HZ
 W0216001021 COIL 110V 50/60HZ
 W0216001031 COIL 220V 50/60HZ



ELECTRIC CONNECTOR FOR V3V APR WITH CNOMO

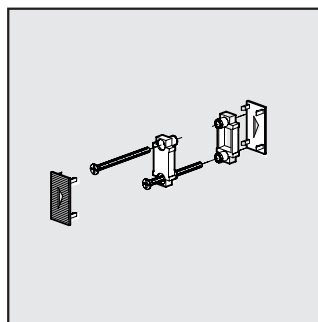
Code Description



W0970520033 ACC. CONNECTOR
 30 STD
 W0970520034 ACC. CONNECTOR
 30 LED 24V
 W0970520035 ACC. CONNECTOR
 30 LED 110V
 W0970520036 ACC. CONNECTOR
 30 LED 220V
 W0970520037 ACC. CONNECTOR
 30 LED VDR 24V
 W0970520038 ACC. CONNECTOR
 30 LED VDR 110V
 W0970520039 ACC. CONNECTOR
 30 LED VDR 220V

CONNECTOR KIT FOR SKILLAIR CODE A

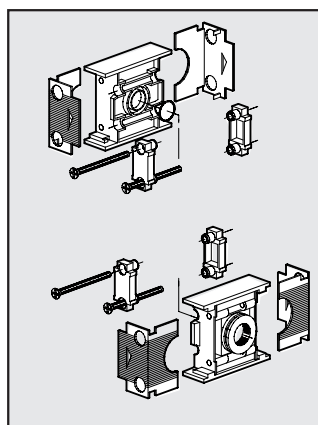
Code Description



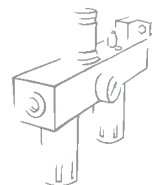
9230301 ACC. CONNECTOR KIT 100
 9330301 ACC. CONNECTOR KIT 200
 9430301 ACC. CONNECTOR KIT 300
 9630301 ACC. CONNECTOR KIT 400

INPUT/OUTPUT END PLATE KIT

Code Description

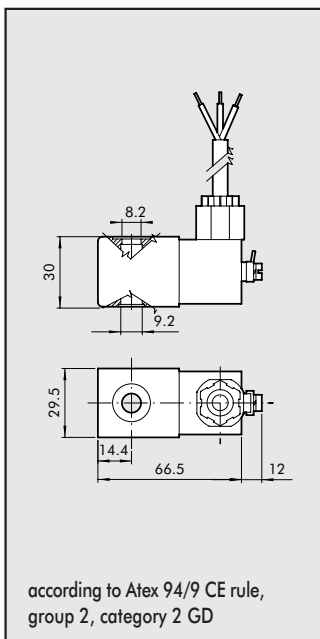


9230401 ACC. IN/OUT END PLATE KIT 100 1/4
 9330501 ACC. IN/OUT END PLATE KIT 100 3/8
 9330601 ACC. IN/OUT END PLATE KIT 200 1/4
 9330701 ACC. IN/OUT END PLATE KIT 200 3/8
 9330801 ACC. IN/OUT END PLATE KIT 200 1/2
 9430701 ACC. IN/OUT END PLATE KIT 300 1/2
 9530901 ACC. IN/OUT END PLATE KIT 300 3/4
 9531001 ACC. IN/OUT END PLATE KIT 300 1
 9631001 ACC. IN/OUT END PLATE KIT 400 1
 9631101 ACC. IN/OUT END PLATE KIT 400
 1 1/4
 9631201 ACC. IN/OUT END PLATE KIT
 1 1/2
 9631301 ACC. IN/OUT END PLATE KIT 2



KIT FOR COIL EEXM FOR V3V-APR-LUB

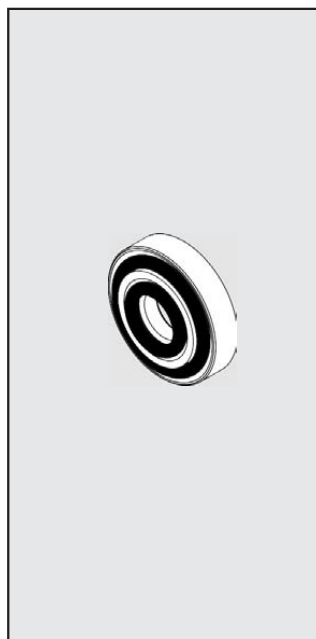
Code Description



- 0227606913 KIT FOR COIL 30
24 VDC EEXMT5
CABLE 3M
- 0227606915 KIT FOR COIL 30
24 VDC EEXMT5
CABLE 5M
- 0227608013 KIT FOR COIL 30
24 VAC EEXMT5
CABLE 3M
- 0227608015 KIT FOR COIL 30
24 VAC EEXMT5
CABLE 5M
- 0227608023 KIT FOR COIL 30
110 VAC EEXMT5
CABLE 3M
- 0227608025 KIT FOR COIL 30
110 VAC EEXMT5
CABLE 5M
- 0227608033 KIT FOR COIL 30
230 VAC EEXMT5
CABLE 3M
- 0227608035 KIT FOR COIL 30
230 VAC EEXMT5
CABLE 5M

KIT COIL SIDE 22 IP65 FOR V3V-APR-LUB

Code Description



- 0222100100 KIT FOR COILS 22 - IP65

Improved IP65 protection, extended operating life in atmospheric conditions. Applicable in all hazardous environments.

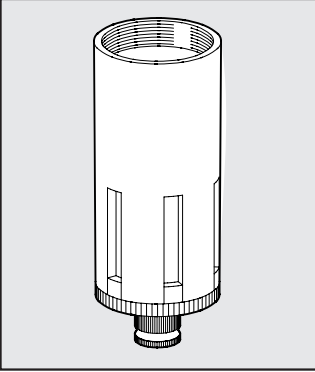
NOTES

[Empty space for notes]

SPARES

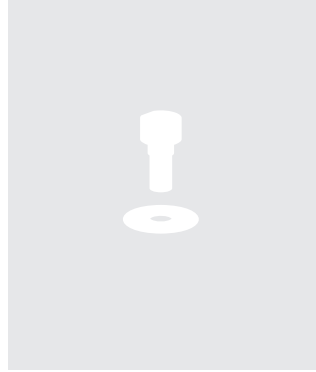
FILTER BOWL

Code Description



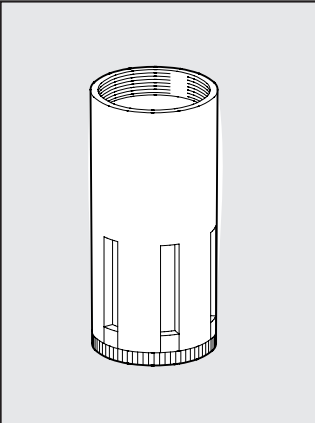
- 9253301 SPARES TF 100 RMSA
- 9255301 SPARES TF 100 SAC
- 9353301 SPARES TF 200 RMSA
- 9355301 SPARES TF 200 SAC
- 9453301 SPARES TF 300 RMSA
- 9453401 SPARES TF 300 RA
- 9653301 SPARES TF 400 RMSA
- 9653401 SPARES TF 400 RA

Code

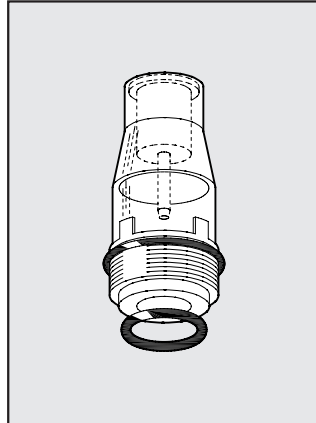


LUBRICATOR BOWL

Code Description

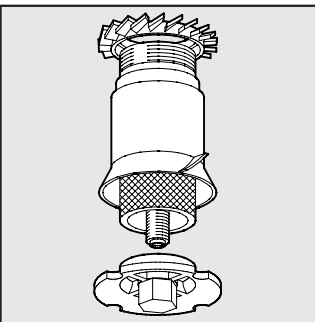


- 9253501 SPARES TL 100
- 9202503 SPARES TL 100 CA
- 9202502 SPARES TL 100 CD
- 9202501 SPARES TL 100 ML
- 9353501 SPARES TL 200
- 9302501 SPARES TL 200 CA
- 9302503 SPARES TL 200 CD
- 9302502 SPARES TL 200 ML
- 9453501 SPARES TL 300
- 9202403 SPARES TL 300 CA
- 9202401 SPARES TL 300 CD
- 9202402 SPARES TL 300 ML
- 9653501 SPARES TL 400
- 9653502 SPARES TL 400 CA
- 9653504 SPARES TL 400 CD
- 9653503 SPARES TL 400 ML

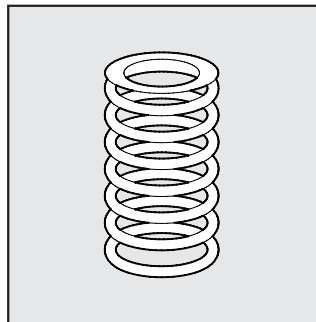


FILTERING ELEMENTS

Code Description

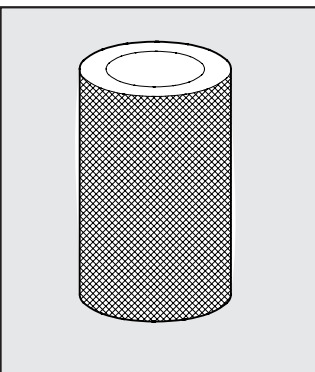


- 9251705 SPARES FP 100 5
- 9251706 SPARES FP 100 20
- 9251707 SPARES FP 100 50
- 9351705 SPARES FP 200 5
- 9351706 SPARES FP 200 20
- 9351707 SPARES FP 200 50
- 9451705 SPARES FP 300 5
- 9451706 SPARES FP 300 20
- 9451707 SPARES FP 300 50
- 9651706 SPARES FP 400 5
- 9651707 SPARES FP 400 20
- 9651705 SPARES FP 400 50

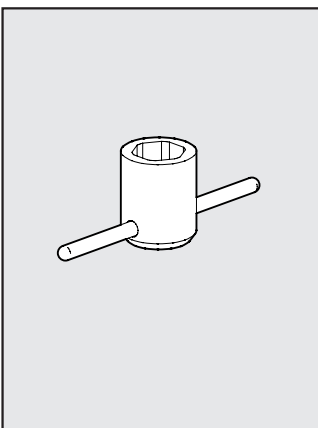
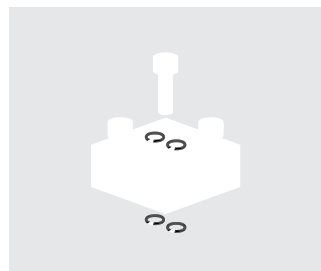
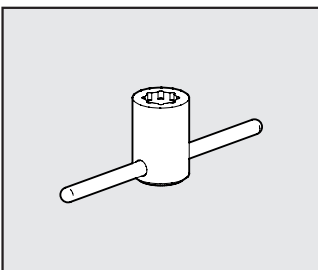
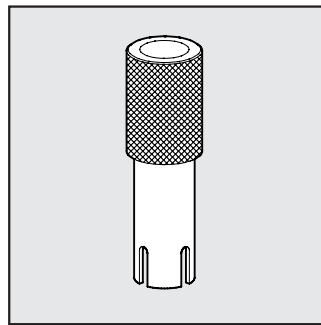
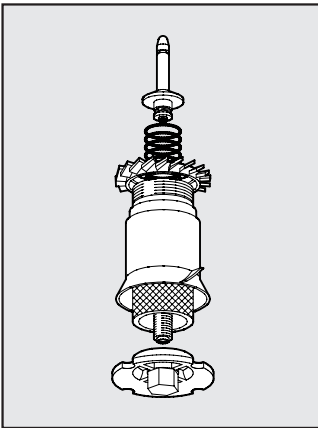
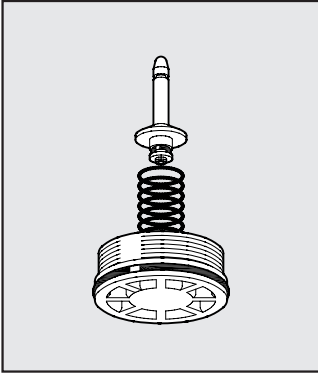
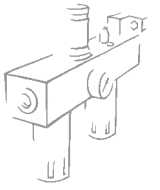


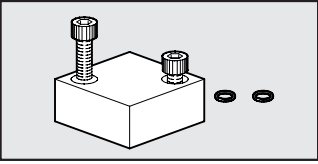
FILTERING/PURIFICATION ELEMENTS

Code Descrizione

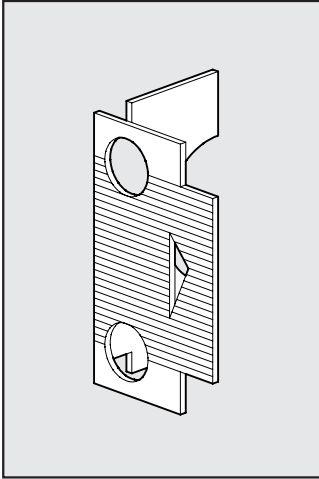
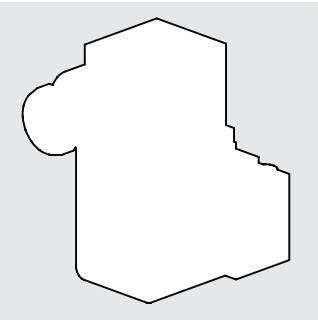


- 9251711 SPARES FP DEP. 100
- 9351711 SPARES FP DEP. 200
- 9451711 SPARES FP DEP. 300
- 9651711 SPARES FP DEP. 400

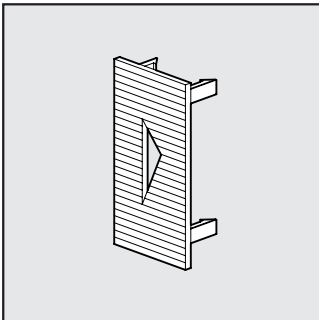




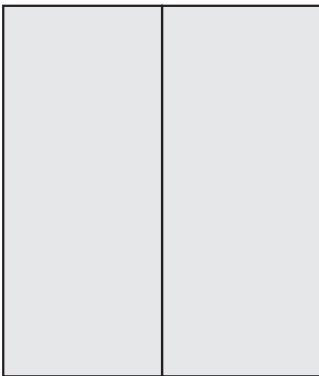
Blank lines for text.



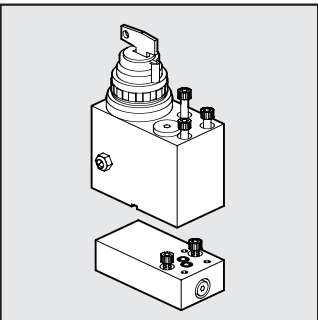
Blank lines for text.



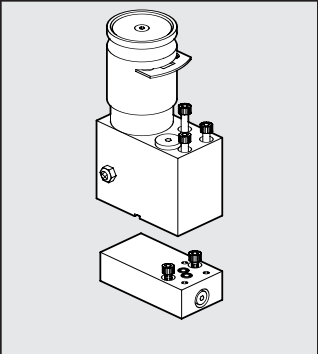
Blank lines for text.



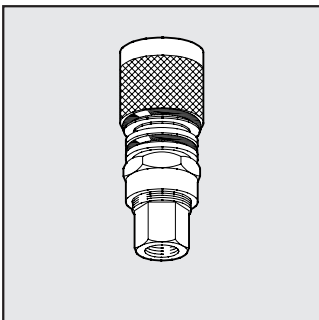
Blank lines for text.



Blank lines for text.



Blank lines for text.



Blank lines for text.